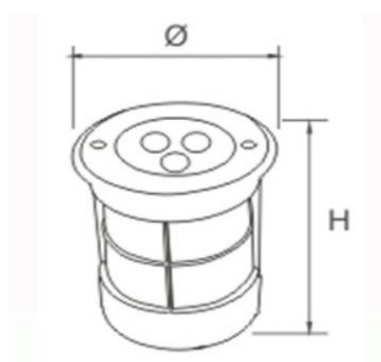
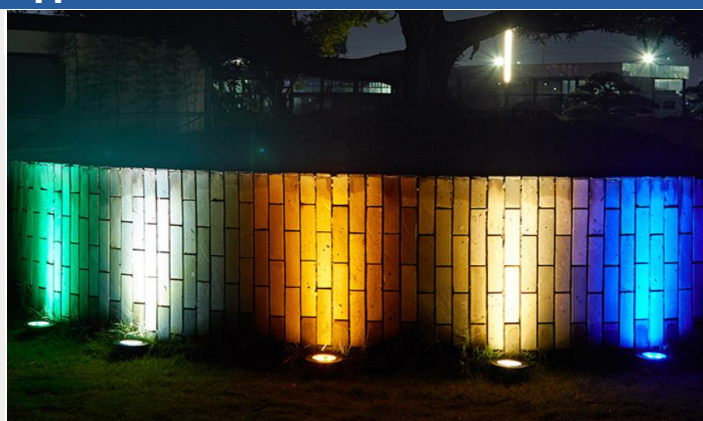


Adjustable Led Inground Lights



Feature Application

1. Adjustable beam angle 30° rotation.
2. High lumens output. 90lm/W output
3. Input 100-220VAC or DC24V options.
4. Stainless steel frame+aluminum body.
5. Bridgelux led chip, 50000Hrs lifetime.
6. WW/CW/Green/Blue/Red options.
7. Warranty 2-3Years optional.
8. Comply with CE RoHS.
9. IP65 Waterproof.



Spacification

Model	GR-GL-3WR	GR-GL-5WR/7WR	GR-GL-9W/12WR	GR-18WR
Power	3W	5W/7W	9W/12W	18W
Dimension(mm)	Φ120*H110	Φ150*H200	Φ180*H245	Φ230*H290
Outcut(mm)	Φ105	Φ140	Φ170	Φ220
LED Chips brand	Bridgelux High power led chips			
Lumens	90lm/W output			
Color temperature	3000K-6500K/Red/Blue/Red options			
Input voltage	AC100-240VAC; But DC12V 24V 48V can be customized			
Driver	Built-in driver included			
Power factor	>0.6			
CRI	80%			
Dimmable	No.			
Materials	Stainless steel frame+Aluminum body+toughed glass			
Beam angle	30°			
Working life	50000Hrs			
Standard	Comply with CE RoHS			
Warranty	2-3Years			
Working temperature	-25°C~+50°C			
IP Grade	IP65 Waterproof			
Remark	DMX512 solution available.			