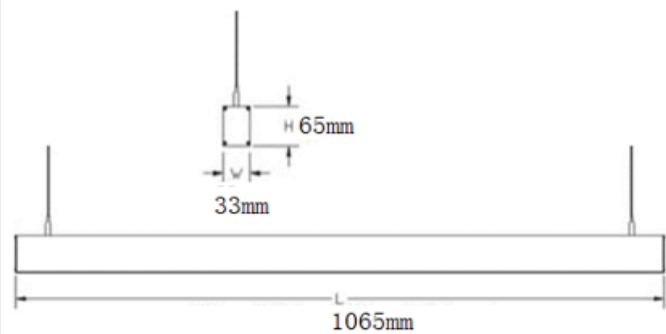


Feature

1. Long lifespan. Lifetime > 50,000 Hrs.
2. High lumens output. 100lm/W output
3. LiFud, DONE, GS, Boke, Eagleries driver options etc.
4. Anti-UV Cover, avoiding any turn yellows.
5. Triac/0-10V/DALI Dimmable option.
6. Surface/suspension installation available.
7. Warranty 2-3 Years optional.
8. Comply with CE RoHS.
9. Die-cast aluminum body, white/black options.

Dimension drawing



Spacification

Model	GR-LS3365-40W
Power	40W
Dimension(mm)	1065*W33*H65mm
LED Chips Quantities	Type A: 20PCS 3030+SMD2835. Type B: 192pcs SMD2835
LED Chips brand	Philips 3030+Epistar SMD 2835
Lumens	3600-4000lm
Color temperature	3000K-6500K
Input voltage	AC100-240VAC; DC12V 24V 48V can be customized
Driver	Built-in driver included
Power factor	>0.9
CRI	80%
Dimmable	No. But Triac/0-10V/DALI dimmable can be available
Materials	Die-cast aluminum+diffuser plate. White/Black frame options
Beam angle	110-120°
Working life	50000Hrs
Standard	Comply with CE RoHS
Warranty	2-3Years
Free splicing	Yes
Installation	Suspension/Surface options
Remark	Steel ropes included for suspension installation