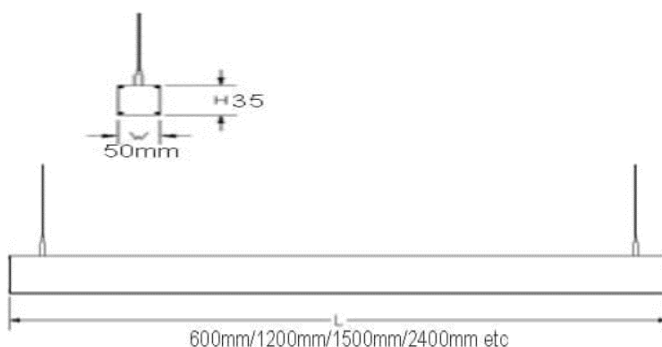


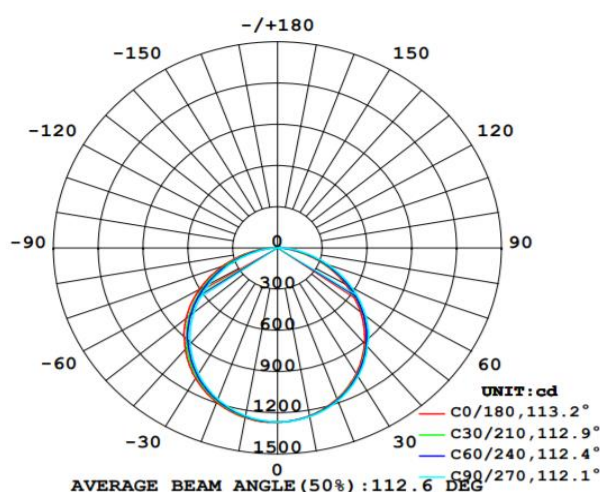
# 50x35mm LED Linear Light



## Feature

1. Long lifespan. Lifetime > 50000 Hrs.
2. High lumens output. 100lm/W output
3. LiFud, DONE, GS, Boke, Eagleries driver options etc.
4. Anti-UV Cover, avoiding any turn yellows.
5. Triac/0-10V/DALI Dimmable option.
6. Surface/recessed/suspension installation available.
7. Warranty 2-3 Years optional.
8. Comply with CE RoHS.
9. Free splicing
10. Different length can be customized.

## Light Distribution curve



## Specification

Model	GR-LS5035-1200	GR-LS5035-1500
Power	36W	48W
Dimension(mm)	1200*W50*H35	1500*W50*H35mm
LED Chips Quantities	192pcs	240pcs
LED Chips brand	Epistar SMD 2835	
Lumens	3600lm	4500-4800lm
Color temperature	3000K-6500K	
Input voltage	AC100-240VAC; DC12V 24V 48V can be customized	
Driver	External driver included	
Power factor	>0.9	
CRI	80%	
Dimmable	No. But Triac/0-10V/DALI dimmable can be available	
Materials	Die-cast aluminum+diffuser plate. White/Silver/Black frame options	
Beam angle	110-120°	
Working life	50000Hrs	
Standard	Comply with CE RoHS	
Warranty	2-3Years	
Free splicing	Yes	
Installation	Suspension/Surface options	
Remark	Emergency kit available( duration 3hours for power 12W-18W)	