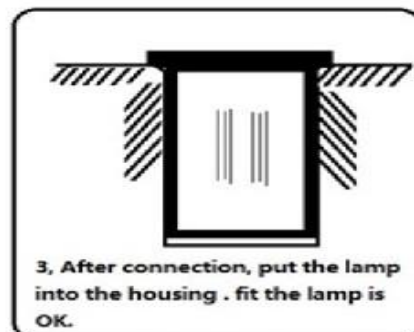
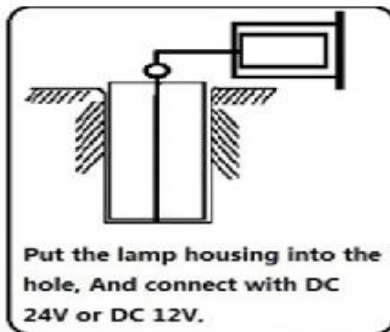
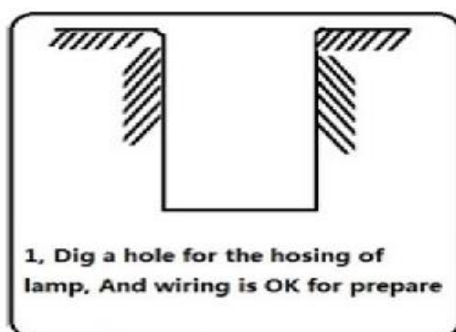
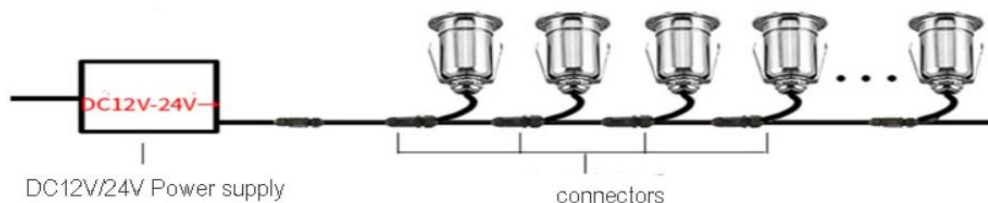


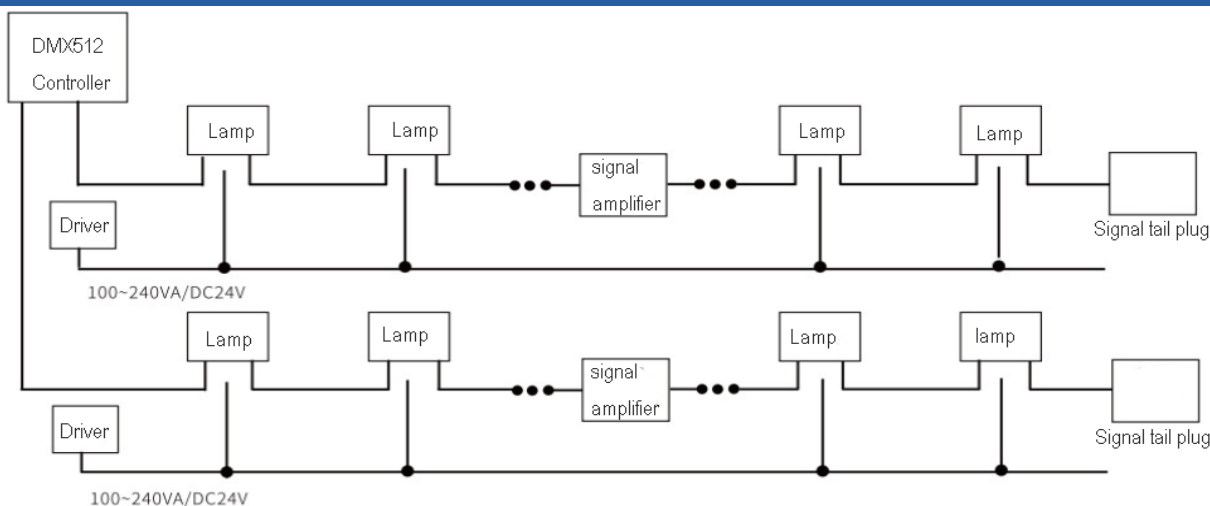
Installation drawing



Collection drawing for common deck lights



Collection drawing for DMX512 deck lighting



Note:

1. The lamps are connected in parallel, and the customer can determine the size of the cable according to the total load of the lamp; if it is low-voltage 12V 24V power supply, please note that the power of the total load cannot be greater than 12V/24V power supply, and it is best to reserve 20% of the power supply.
2. The strong current cable must be laid in separate pipelines from the DMX512 signal line and separated by more than 15cm to avoid signal interference.
3. A signal tail plug must be added to the end of each signal loop of the DMX512 controller. The signal line wiring is greater than 60 meters or the lamp exceeds 48PCS, it is necessary to add a signal amplifier.