

Recessed Stairway sconces



Feature

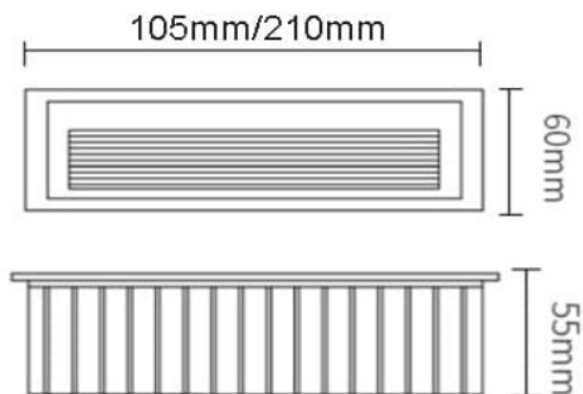
1. Grey/White/Black/Gold housing options.
2. Creative design, stylish appearance
3. SMD LED Chips, high lumens output.
4. Top quality driver brand, lifetime > 5 years.
5. Triac dimmable available
6. Efficiency > 87%



Application



Dimension



Specification

	GR-WML-3WU	GR-WML-4WU
Model	GR-WML-3WU	GR-WML-4WU
Power	3W	4W
Dimension(mm)	L105*60*55mm	L210*60*55mm
Outcut(mm)	L95*W50*H65mm	L195*W50*H65mm
LED Chips brand	Epistar	
Lumens	90LM/W	
Color temperature	3000K-6500K	
Input voltage	AC100-240VAC; DC12V 24V 48V can be customized	
Driver	Included.	
Power factor	>0.6	
CRI	>80	
Dimmable	No. But Triac/0-10V/DALI dimmable can be available	
Materials	Die-cast aluminium. White/Black/Grey housing options	
Beam angle	100°	
Working life	50000Hrs	
Standard	Comply with CE RoHS	
Warranty	3-5 Years	
Working temperature	-20°C ~ +50°C	
Installation	Recessed installation	
Remark	Just email to us if have any other requirements	