

LED Street Lamp D Series



Feature

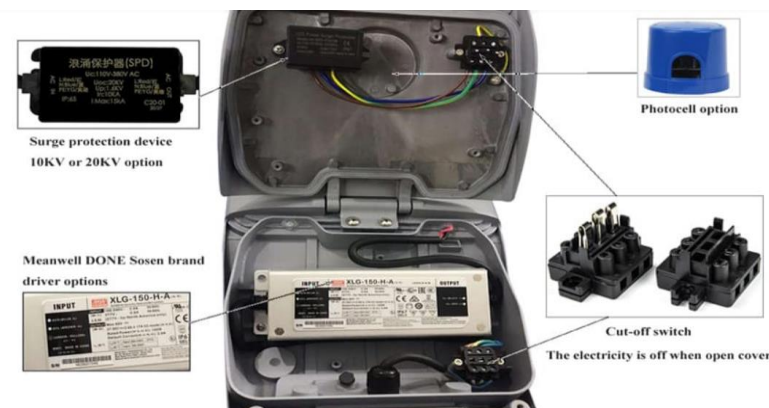
1. Long lifespan. Lifetime > 50000 Hrs.
2. High lumens output. The Max lumens can be 150lm/W output
3. Top brand driver. Meanwell, DONE, Sosen, ZH, Moso etc.
4. Built-in Surge protection device. 6KV-20KV available.
5. Triac/0-10V/DALI Dimmable option.
6. Cut-off switch device option, photocell option.
7. Warranty 2-5 Years optional.
8. CE RoHS LVD EMC Approval.
9. AC110V 220V DC12V 24V 48V Input option
10. Adjustable beam angle junction 90° up down.

Specification

Model	GR-SL-100WD	GR-SL-150WD	GR-SL-240WD
Power	80-100W	120W-150W	200W-240W
Dimension	230*548mm	257*598mm	320*654mm
LED Chips qty	216pcs	288pcs	320pcs
LED Chips brand	Philips 3030 SMD		
Input voltage	AC100-240VAC; DC12V 24V 48V can be customized		
Output	DC48V 1.9A	DC48V 2.9A	DC48V 4.5A
Power factor	>0.93		
CRI	75%		
Color temperature	3000K -6500K; 2000-2500K can be customized		
Materials	Die-cast aluminum+PC Lens		
Beam angle	70°*150°		
Surge protection	6-20KV		
Working life	>50000Hrs		
Working temperature	-25°C~+50°C		
IP Grade	IP66 Waterproof		

Special point

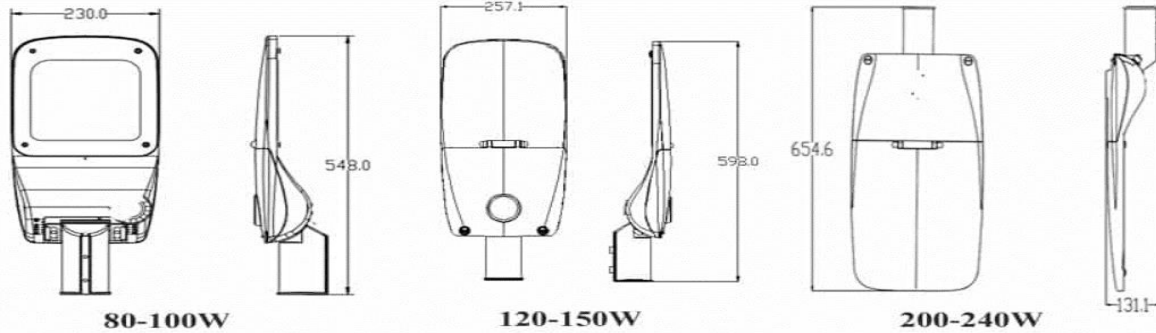
This series can be added a cut-off switch if needed, this means the led street light will be off power automatically when there are somebody to open the cover. It will be much safer and easier to do maintenance.



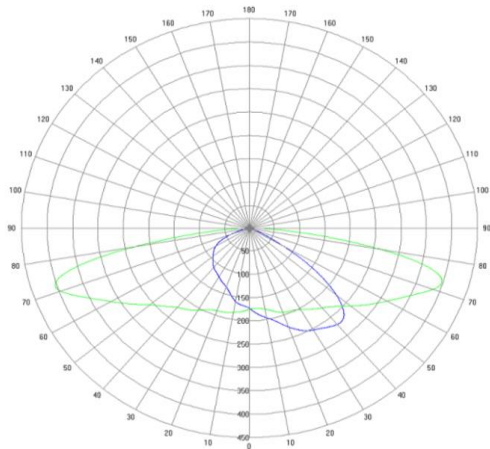
LED Street Lamp D Series



Dimension drawing



Distribution curve



Special point

The LED Street lights widely used for roadway,highway,parking lots,garden,pathway etc.Be careful to choose the color temperature for different places,such as, it should be using 3000K warm white for places where is fully of rainy days and fogs. Try to use the 4000-4500K Natural white for other places.

