

# Led Street Lighting Series A



## Feature

1. Long lifespan. Lifetime > 50,000 Hrs.
2. High lumens output. 100- 120lm/W output
3. Top brand driver. Meanwell, DONE, Sosen, ZH, Moso etc.
4. Built-in Surge protection device. 6KV-20KV available.
5. Triac/0-10V/DALI Dimmable option.
6. Photocell switch available.
7. Warranty 2-5 Years optional.
8. CE RoHS LVD EMC Approval.
9. AC110V 220V DC12V 24V 48V Input option.
10. The junction part can be 90° adjustable up down.

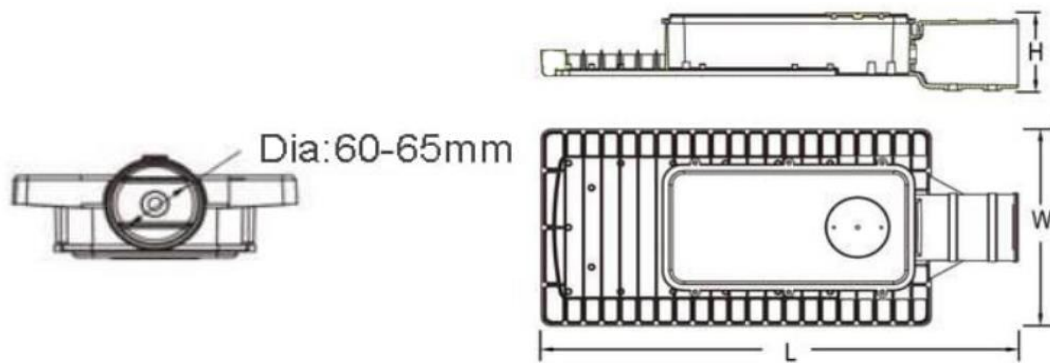
## Specification

Model	GR-SL-50WA	GR-SL-100WH	GR-SL-150WA	GR-SL-200WA	GR-SL-240WA
Power	50W	100W	150W	200W	240W
Dimension	L405*W166*H79mm	L484*W211*H83mm	L580*W242*H83mm	L685*W300*H106mm	L685*W300*H106mm
LED Chips Quantities	60pcs	120pcs	180pcs	240pcs	240pcs
LED Chips brand	Philips 3030 SMD				
Lumens output	5000-6000lm	10000-12000lm	15000-18000lm	20000-24000lm	24000lm
Color temperature	3000K WW; 4000-4500K NW ; 6000-6500K CW; The yellow color such as 2000-2500K can be customized				
Input voltage	AC100-240VAC; The low voltage such as DC12V 24V 48V can be customized				
Surge protection	6-20KV				
Power factor	>0.9				
CRI	75%				
IP Grade	IP66 Waterproof				
Materials	Die-cast aluminum+PC Lens.Black/grey housing optional				
Beam angle	120°				
Working temperature	-25°C~+50°C				
Installation diameter	60-65mm				
Certificates	CE RoHS LVD EMC				
Remark	Photocell,dimmable type can be customized				

# Led Street Lighting Series A

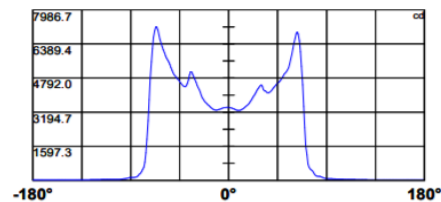
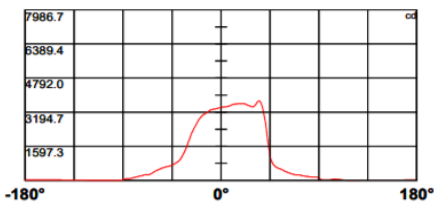
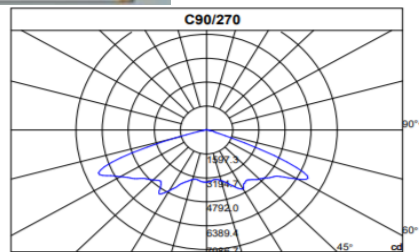
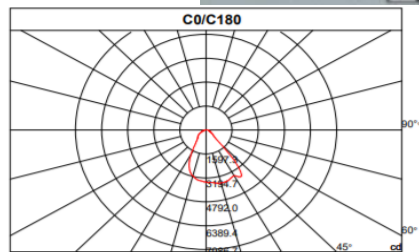


## Dimension



Model	Dimension	Power
GR-SL-50WA	L405*W166*H79mm	50W
GR-SL-100WA	L484*W211*H83mm	100W
GR-SL-150WA	L580*W242*H83mm	150W
GR-SL-200WA	L685*W300*H106mm	200W
GR-SL-240WA	L685*W300*H106mm	240W

## Distribution curve



## Application

The LED Street lights widely used for roadway,highway,parking lots,garden,pathway etc.Be careful to choose the color temperature for different places,such as, it should be using 3000K warm white for places where is fully of rainy days and fogs. Try to use the 4000-4500K Natural white for other places.

