

IP65 Surface Ceiling Light



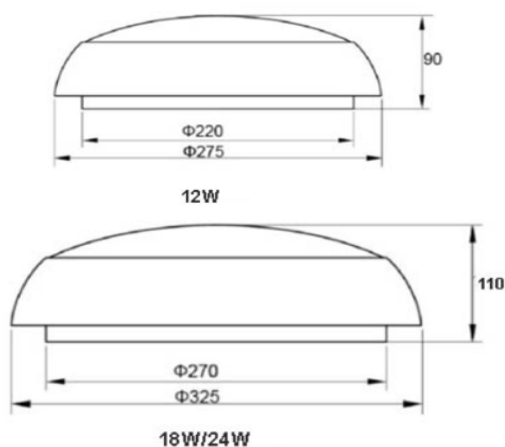
Grnled



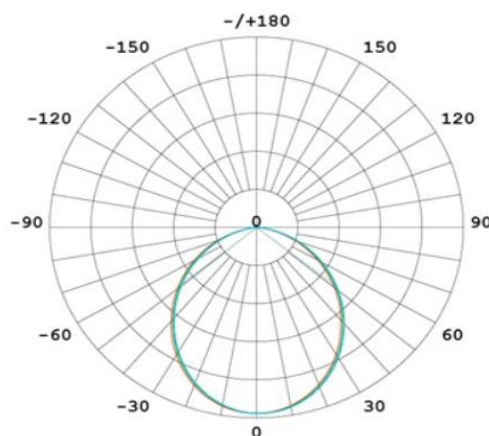
Feature

1. Waterproof structure design.
2. Anti-UV Materials, avoiding yellow changes.
3. Top led driver, free flicker, lifetime > 5 years
4. Epistar SMD LED Chips, high lumens output
5. Emergency 5W-7W with 2 Hours duration available.
6. Efficiency > 87%
7. Triac dimmable/0-10V dimmable option

Dimension drawing



Light distribution



Specification

	GR-CD-12WW	GR-CD-18W/24W
Model	GR-CD-12WW	GR-CD-18W/24W
Power	12W	18W/24W
Dimension(mm)	Ø275xH90	Ø325xH110
Outcut(mm)	/	
LED Chips brand	Epistar SMD LED chips	
Lumens	85-90lm/W	
Color temperature	3000K-6500K	
Input voltage	AC100-240VAC; DC12V 24V 48V can be customized	
Driver	Included. Free flicker	
Power factor	>0.6/0.9	
CRI	>80	
Dimmable	No. But Triac/0-10V dimmable can be available	
Materials	ABS bottom+PC Cover	
Beam angle	120°	
Working life	50000Hrs	
Standard	Comply with CE RoHS	
Warranty	3-5Years	
Working temperature	-20°C ~ +50°C	
Installation	Surface installation	
IP Grade	IP65 Waterproof	