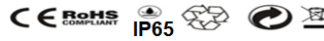


Led High Bay Light Fixture



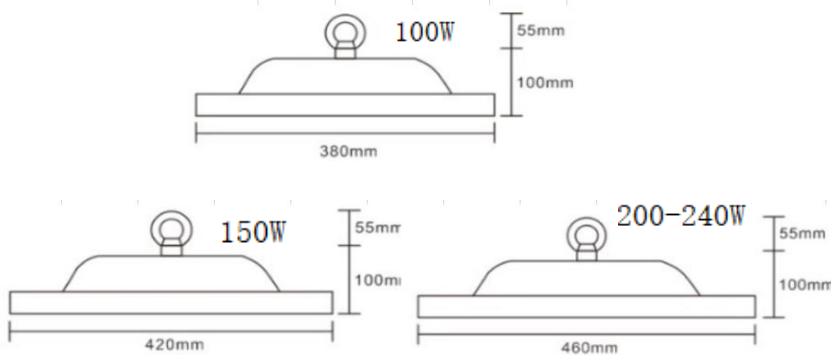
Grnled



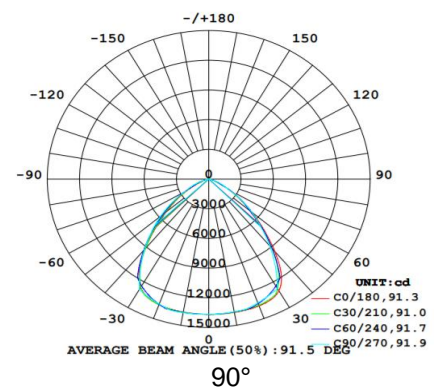
Feature

- 1.Top quality,working life more than 50000Hrs.
- 2.High lumens output. 110-130lm/W output
- 3.Philips,Meanwell,DONE Brand driver options.
- 4.Die-cast aluminum body+PC lens cover,Anti-UV.
- 5.Triac/0-10V/DALI Dimmable option.
- 6.Surface/Hook/suspension installtion available.
- 7.Warranty 3-5Years optional.
- 8.CE RoHS LVD EMC Approval.
- 9.Emergency/Sensor type can be customized.

Dimension drawing



Light distribution curve



Specification

| Model | GR-HB-100WF | GR-HB-150WF | GR-HB-200WF | GR-HB-240WF |
|----------------------|---|-------------|-------------|-------------|
| Total Power | 100W | 150W | 200W | 240W |
| Dimension | Φ380mm | Φ420mm | Φ460mm | Φ460mm |
| LED Chips Quantities | 140pcs | 196pcs | 252pcs | 252pcs |
| LED Chips brand | Philips SMD3030 Chips | | | |
| Lumens | 110-150lm/W | | | |
| Color temperature | 3000K-6500K | | | |
| Input voltage | AC100-240VAC; DC12V 24V 48V can be customized | | | |
| Output | 42VDC 2.2A | 42VDC 3.2A | 42VDC 4.2A | 42VDC 5.1A |
| Power factor | >0.93 | | | |
| Efficiency | 89% | | | |
| Driver | Philips/Meanwell/DONE/Moso/ZH Brand optional | | | |
| CRI | 80% | | | |
| Dimmable | No.But Triac/0-10V/DALI dimmable can be available | | | |
| Materials | Die-cast aluminum+PC Lens cover | | | |
| Beam angle | 90° | | | |
| Working temperature | -25°C~+50°C | | | |
| Working life | >50000Hrs | | | |
| IP Grade | IP65 Waterproof | | | |
| Certificates | CE RoHS LVD EMC | | | |
| Warranty | 3-5Years | | | |
| Remark | Just contact us if have any other detail inquiry | | | |