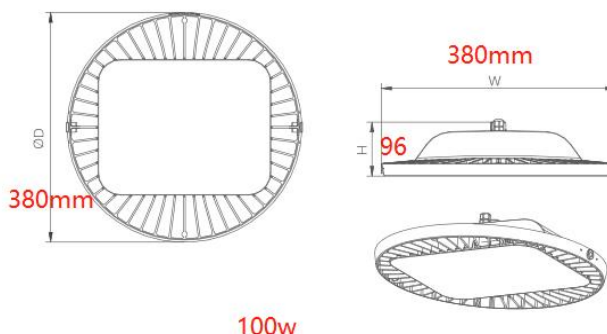


# GR-HB-100WF High Bay Lights



## Dimension



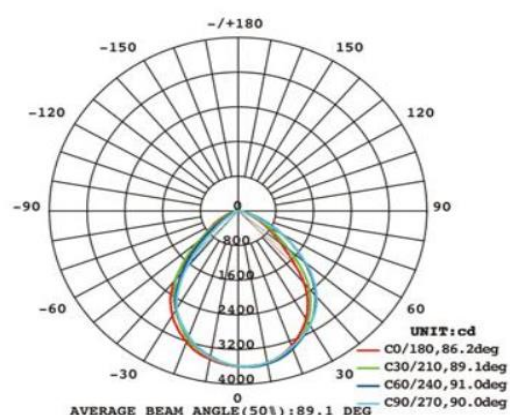
## Description & Feature

LED high bay light is similar with Philips high bay lights, delivers a superior LED alternative that's up to 60% more energy efficient than the conventional HPS, Metal halide bay light retrofits.

It is also ideal for all industrial lighting applications as well as public indoor spaces, such as warehouses, bus stations, Mine, Factories, etc.

Its lifetime can be up to 10 years. The other extra function such as dimming/ emergency backup also can be available.

## Light Distribution Curve



## Specification

Model	GR-HB-100WF
Dimension(mm)	φ380*H96mm
Outcut	/
Power	100W±5%
LED Chips brand	Philips/Osram/Bridgelux SMD3030 140PCS
Lumens	12000-15000lm
Color temperature	3000K/4000K-4500K/6000K-6500K
Driver	Meanwell/Philips/DONE Brand driver
Input voltage	100-240VAC / 220-240VAC 50/60Hz
Power factor	>0.95
CRI	>80
SDCM	<5
Working life	>50000Hrs
Efficiency	>89%
Materials	Die-cast aluminum+PC
Beam angle	90°
THD	<10%
IP Grade	IP65 waterproof
Dimmable	No. but it is ok to do Triac/0-10V/DALI Dimming if needed
Working temperature	-30°C~+55°C
Package	40*40*13CM/PCS/CTN
Standard	CE LVD EMC RoHs
Warranty	2/3/5Years options