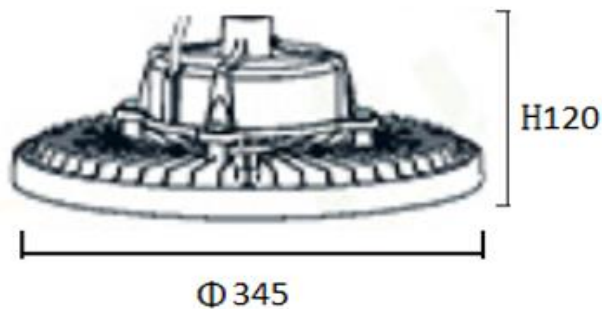


GR-HB-200WE High Bay Lights



Dimension



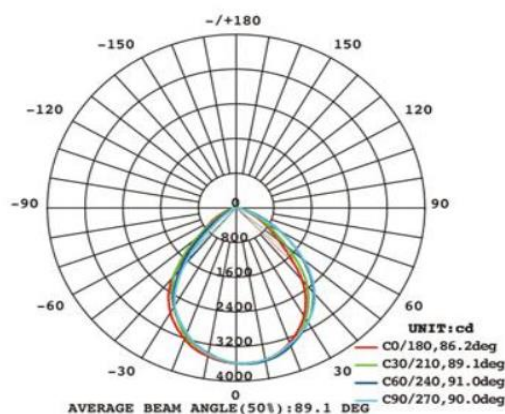
Unit:mm

Description&Feature

LED high bay light,delivers a superior LED alternative that's up to 60% more energy efficient than the conventional HPS,Metal halide bay light retrofits. It is also ideal for all industrial lighting applications as well as public indoor spaces,such as warehouses, bus stations, Mine,Factories.,etc.

Its lifetime can be up to 5years. The other extra function such as dimming/ emergency backup also can be available.

Light Distribution Curve



Spacification

Model	GR-HB-200WE
Dimension(mm)	Ø345*H120mm
Outcut	/
Power	200W±5%
LED Chips brand	Philips/Osram/Bridgelux SMD3030
Lumens	20000-24000lm
Color temperature	3000K/4000K-4500K/6000K-6500K
Driver	Isolated driver included
Input voltage	100-240VAC / 220-240VAC 50/60Hz
Power factor	>0.9
CRI	>80
SDCM	<5
Working life	>50000Hrs
Efficiency	>89%
Materials	Die-cast aluminum+PC
Beam angle	90°
THD	<15%
IP Grade	IP65 waterproof
Dimmable	No. but it is ok to do Triac/0-10V/DALI Dimming if needed
Working temperature	-30°C~+55°C
Package	360*135*365 mm/pcs/CTN
Standard	CE LVD EMC RoHs
Warranty	2/3Years options