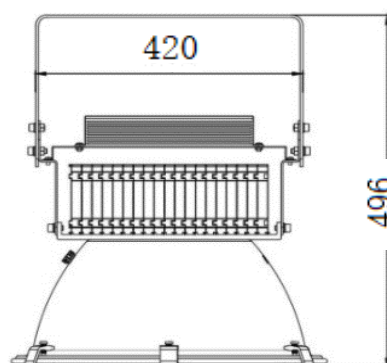


GR-HB-400WT High Power High Bay



60°

Dimension



Unit:mm

Description&Feature

LED high bay light,delivers a superior LED alternative that's up to 60% more energy efficient than the conventional HPS,Metal halide bay light retrofits. It is also ideal for all industrial lighting applications as well as public indoor spaces,such as warehouses, bus stations, Mine,Factories,Construction sites.,etc.

Its lifetime can be up to 5years.

Application



Specification

Model	GR-HB-400WT
Dimension(mm)	496*420*310mm
Outcut	/
Power	400W±5%
LED Chips brand	Philips/Osram/Bridgelux SMD3030
Lumens	44000-50000lm
Color temperature	3000K/4000K-4500K/6000K-6500K
Driver	Meanwell/Philips/DONE Brand driver
Input voltage	100-240VAC / 220-240VAC 50/60Hz
Power factor	>0.95
CRI	>80
SDCM	<5
Working life	>50000Hrs
Efficiency	>90%
Materials	Die-cast aluminum+Toughed glass cover
Beam angle	60°
THD	<10%
IP Grade	IP65 waterproof
Dimmable	No. but it is ok to do Triac/0-10V/DALI Dimming if needed
Working temperature	-30°C~+55°C
Package	47*47*48.5cm/PCS/CTN
Standard	CE LVD EMC RoHs
Warranty	2/3/5Years options