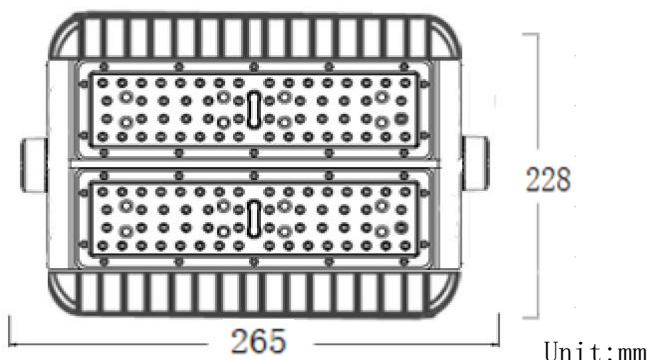


GR-FL-100WJ LED Flood Lights



Dimension



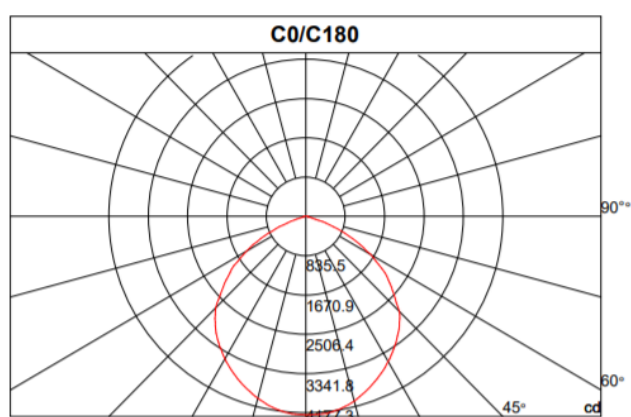
Description & Feature

This Flood light is consist of different number of modular sources, each modular is 50Watt, delivers a superior LED alternative that's up to 60% more energy efficient than the conventional HPS, Metal halide flood light retrofits.

It is widely used for different outdoor places such as tunnel, high mast, squares, stadium fields (football field, tennis court, basketball etc)

Its lifetime can be up to 10 years. The other extra function such as dimming/ photocell also can be available.

Light Distribution Curve



Specification

Model	GR-FL-100WJ
Dimension(mm)	L228*W265*H64mm
Surge protection	6KV(10KV 20KV available)
Power	100W±5%
LED Chips brand	Philips/Osram/Bridgelux SMD3030
Lumens	12000-14000lm
Color temperature	3000K/4000K-4500K/6000K-6500K
Driver	Isolated driver included(Meanwell/DONE/Philips options)
Input voltage	100-240VAC / 220-240VAC 50/60Hz
Power factor	>0.95
CRI	>80
SDCM	<5
Working life	>50000Hrs
Efficiency	>90%
Materials	Die-cast aluminum+PC, Black Finished
Beam angle	30°/60°/90°/120°
THD	<15%
IP Grade	IP66 waterproof
Options	Photocell/Time control/ Triac/0-10V/DALI Dimming if needed
Working temperature	-30°C~+55°C
Package	200*335*170mm/CTN/PCS
Standard	CE LVD EMC RoHs
Warranty	2/3/5Years options